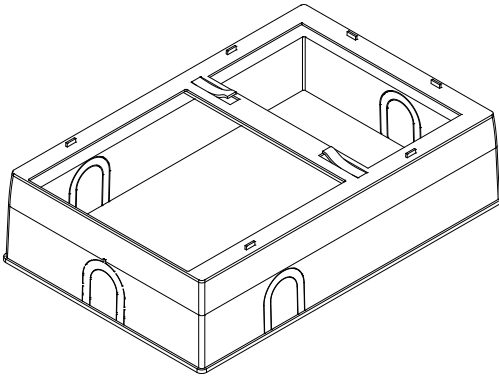




WG4WTS and WG4RTS Trim Skirt Installation Sheet



Description

The WG4WTS and WG4RTS trim skirts are outdoor-rated surface skirts for the Genesis WG4 appliances. You can use them in indoor, outdoor, or wet environments and mount them either on ceilings or on walls. The WG4WTS is white; the WG4RTS is red.

Installation

Install this device in accordance with applicable requirements and in accordance with the local authorities having jurisdiction.

WARNING: Electrocution hazard. To avoid personal injury or death from electrocution, remove all sources of power and allow stored energy to discharge before installing or removing equipment.

Notes

- Electrical supervision requires that you break the wire run at each terminal. Do not loop wires around the terminals.
- When using a 449 electrical box, discard the gasket that is shipped with the box.
- When using a trim skirt on an outdoor application, use the gasket that comes with the WG4 unit.
- For complete specifications, installation instructions, and wiring information for a specific WG4 appliance, refer to the installation sheet for that appliance.

To install the trim skirt:

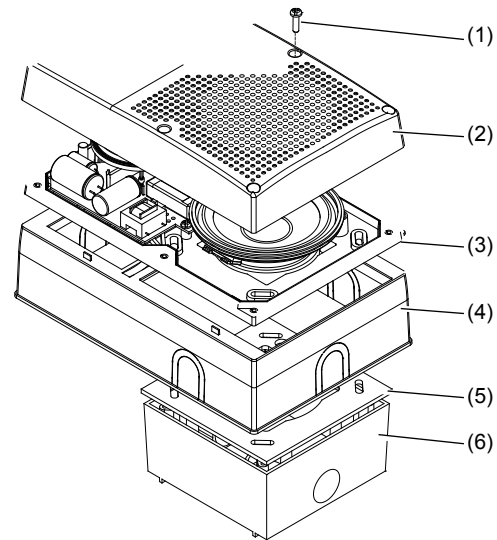
1. Remove the cover from the WG4 appliance by removing the six cover screws. See Figure 1, item 1.
2. Position the appropriate gasket over the backplate, ensuring that the wire slot and other holes line up properly.

Remove the protective backing from the gasket surface and carefully apply the gasket to the WG4, with the adhesive side towards the appliance.

Press the gasket firmly against the back surface of the appliance so that the gasket seats properly.

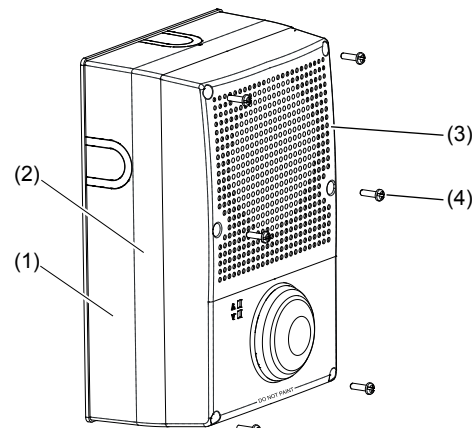
3. Place the trim skirt over the electrical box, and then feed the field wiring through the wire slots on the gasket and the backplate.
4. Align the appliance and trim skirt and then secure the backplate to the electrical box with the supplied screws. Check the assembly to ensure that it is securely mounted. See Figure 1, items 3, 4, 5, and 6.
5. If the appliance has a strobe, remove the protective cap.
6. Set the volume and patterns for the appliance as appropriate.
7. Position the cover over the backplate and secure it with the six cover screws.
8. Test the unit for proper operation.

Figure 1: Installing the trim skirt



- | | |
|-------------------------------------|----------------------------|
| (1) Cover screws (6X) | (4) WG4WTS or WG4RTS skirt |
| (2) Front cover | (5) WG4 gasket |
| (3) Typical WG4 appliance backplate | (6) 449 electrical box |

Figure 2: WG4 appliance with trim skirt



- | | |
|----------------------------|-----------------------|
| (1) WG4WTS or WG4RTS skirt | (3) Front cover |
| (2) Backplate | (4) Cover screws (6X) |

Specifications

Dimensions W × H × D	6.0 × 9.0 × 2.3 in. (152 × 229 × 58 mm)
----------------------	---

Operating environment	Refer to the appliance installation sheet
-----------------------	---

Regulatory information

Agency listings	UL 1971, UL 1638, UL 464, CAN/ULC-S525, CAN/ULC-S525
-----------------	---

Contact information

For contact information, see www.edwardsfiresafety.com.